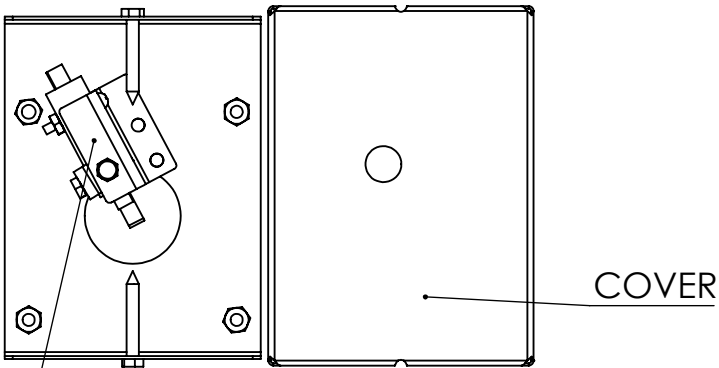


2

1

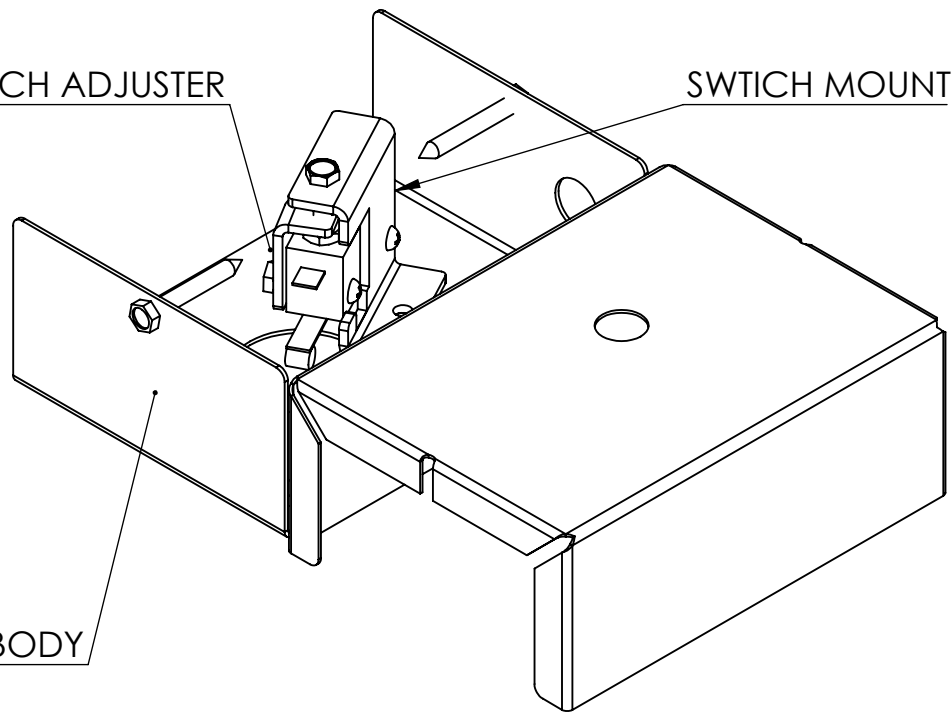
B

B



SWTICH ADJUSTER

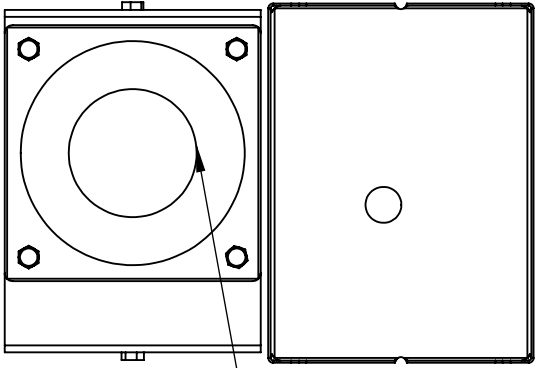
SWTICH MOUNT



BODY

A

A



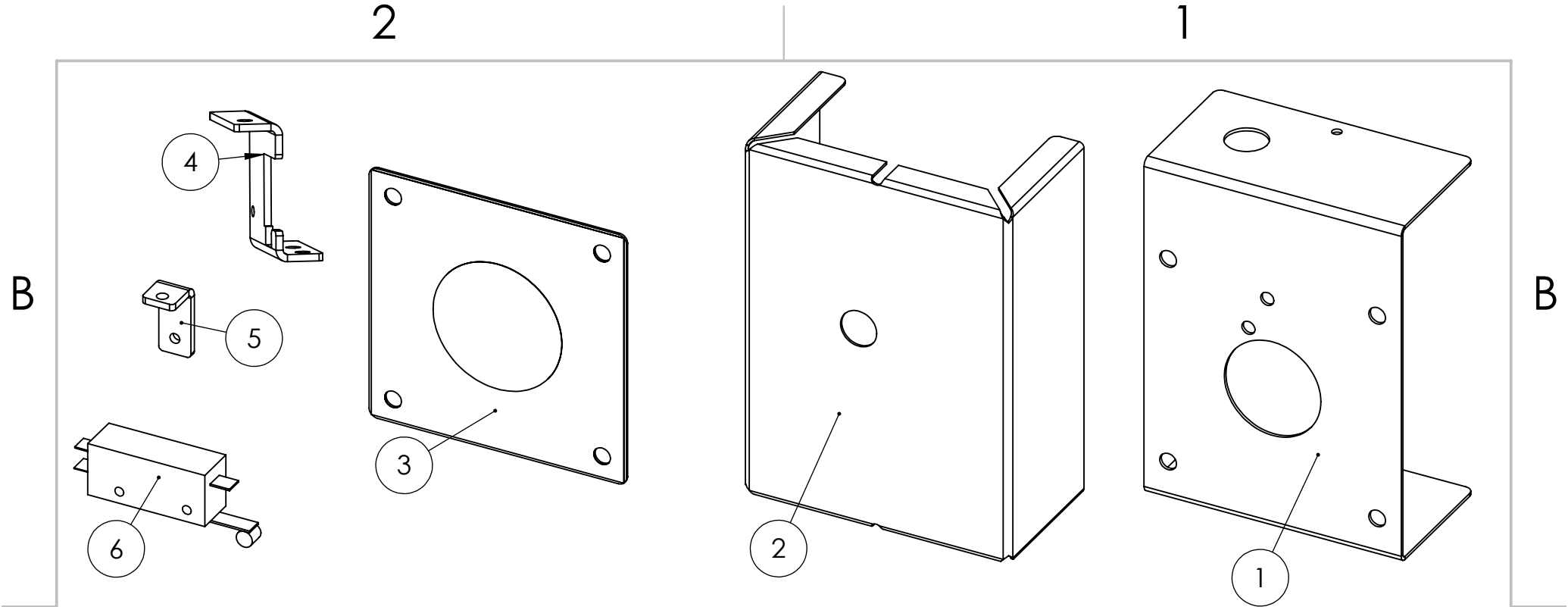
DIAPHRAGM

2

1

PROPRIETARY AND CONFIDENTIAL
 SPINKS SCALE
 COMPANY, INC.

TITLE: PRESSURE SWITCH		
SIZE A	DWG. NO. 060148	REV
WEIGHT: 4		SHEET 1 OF 2



ITEM NO.	PART NUMBER	DESCRIPTION	QTY.
1	200016	BODY	1
2	200017	COVER	1
3	200027	DIAPHRAGM	1
4	200014	SWITCH MOUNT	1
5	200015	SWITCH ADJUSTER	1
6	RE 4604	MICRO SWITCH	1

PROPRIETARY AND CONFIDENTIAL

SPINKS SCALE
COMPANY, INC.

TITLE:

PRESSURE SWITCH

SIZE

A

DWG. NO.

060148

REV

WEIGHT: 4

SHEET 2 OF 2